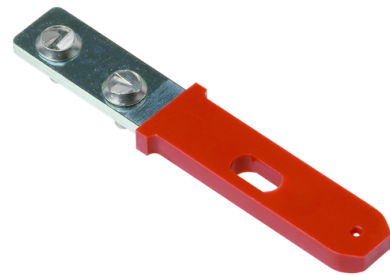


BETAETIGER-Z-G (Order no. 016849)

Actuator for safety switches NZ.VZ, NZ.VZ.VS and TZ

- ▶ Two stainless-steel safety screws per actuator



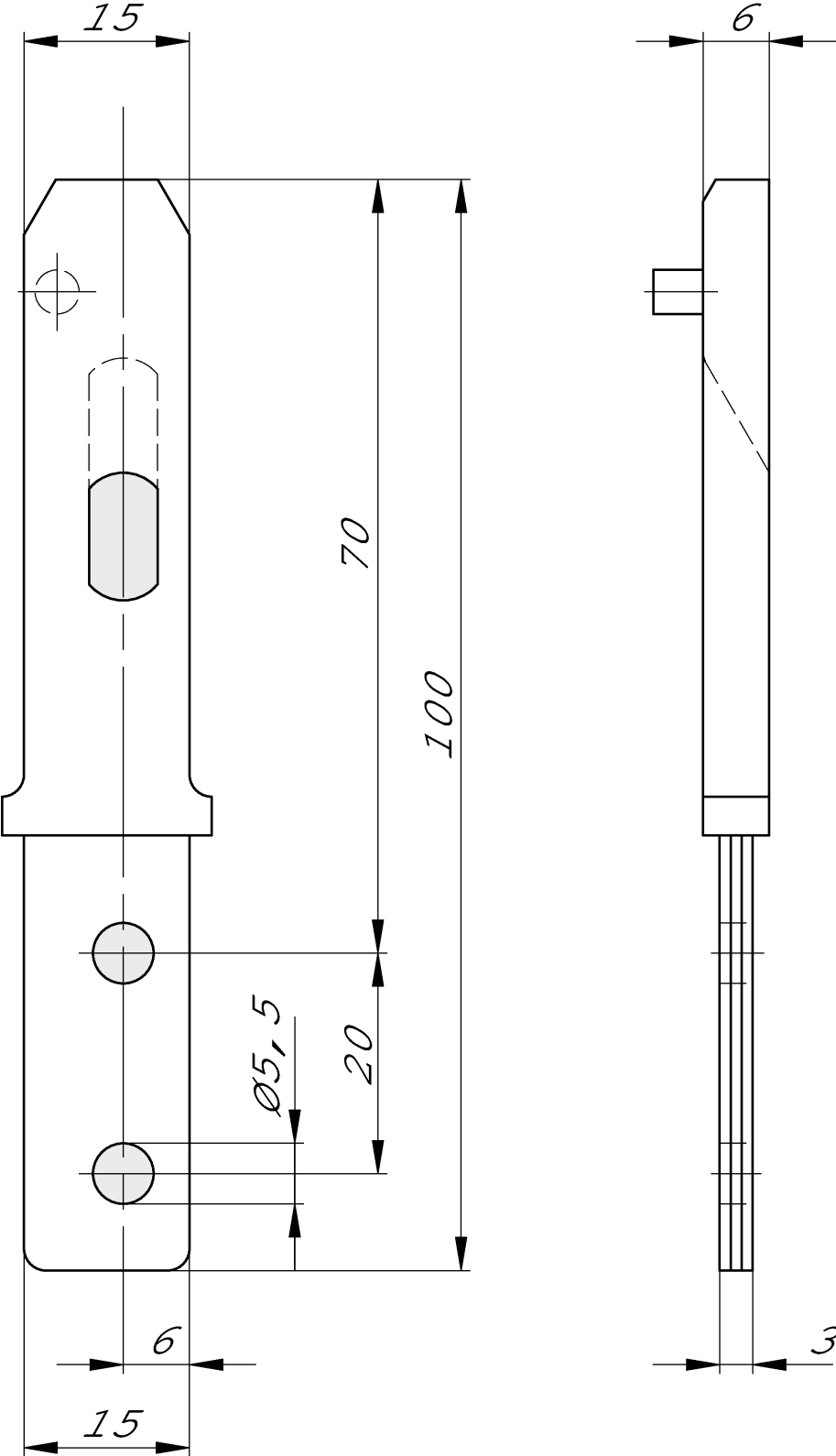
Straight actuator

The straight actuator is used on sliding doors or hinged doors with door radii greater than 1,000 mm. Safety screws prevent unscrewing of the actuators. The safety screws included can be inserted with a normal tool, but cannot be removed again.

Actuator with overtravel

4 mm for doors with normal play

Dimensional drawings



Technical data

Approvals



Mechanical values and environment

| | |
|------------|-----------|
| Overtravel | max. 4 mm |
|------------|-----------|

| | |
|-------------|--------------|
| Door radius | min. 1000 mm |
|-------------|--------------|

Material

| | |
|----------|------------------|
| Screw | Stainless steel |
| Sheath | Plastic |
| Actuator | Galvanized steel |

Miscellaneous

| | |
|-------------------------------|----|
| Usability of insertion funnel | no |
|-------------------------------|----|

Downloads

All documentation for this material can be found on our website:

<https://www.euchner-usa.com/en-us/a/016849/?#downloads-tab>

Ordering data

| | |
|-------------------------------|---|
| Ordernumber | 016849 |
| Item designation | BETAETIGER-Z-G |
| Gross weight | 0,037kg |
| European Article Number (EAN) | 4047048000070 |
| Customs tariff number | 85389099990 |
| ECLASS | 27-27-26-06 Actuator for safety-related position switch |

Accessories

Mounting accessories

Safety screws M5 x 10

073455

M5X10-NIRO/V100

- ▶ Safety screws M5 x 10
- ▶ Packaging unit 100 pieces